

ACS Stainless Steel Fixings Ltd
No. 1, Cross Green Approach
Cross Green
LEEDS
LS9 0SG
Telephone: (0113) 391 8200
Facsimile: (0113) 391 8209

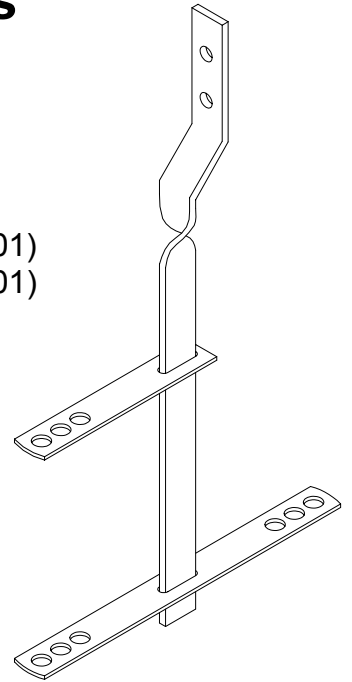


ACS Sliding Anchor Systems

Material: Austenitic stainless steel grade 304 (BS EN 1.4301)
Also available: Austenitic stainless steel grade 316 (BS EN 1.4401)
Galvanised mild steel.

Types:

B1	-	Soffit fix., bent head
B2	-	Face fix, offset head (Illustrated)
B3	-	Soffit fix, twisted head
B4	-	Soffit fix, welded head
B5	-	Single face fix, welded
B6	-	Dual face fix, welded
B7	-	Extended face fix, welded
B8	-	Centre Soffit fix
B9	-	Face fix, twisted head



Installation:

ACS sliding anchor systems are fixed to either the face or soffit of the main structural elements of the building frame (either concrete or steel). The vertical stem fits down the cavity and into either one-way (OWT) or two-way (TWT) ties allowing vertical movement whilst providing lateral restraint. At least 1 OWT tie and 1 TWT tie (or 3 OWT ties) must be installed to ensure the proper function of the sliding head restraint system. The stem length is determined by customer requirements to meet the above criteria. Standard lengths vary from 300mm to 650mm. Non standard lengths are available. The tie length is dependant on cavity size. This will need to be provided at the point of enquiry/order.

ACS sliding anchor systems allow for a maximum 1.5kN load per stem when the upper tie is within 75mm of the fixing point.

COSHH:

Although every effort is made to minimise the number of sharp corners & edges, care must be taken when handling these products. It is recommended that suitable protective clothing is worn at all times when handling.